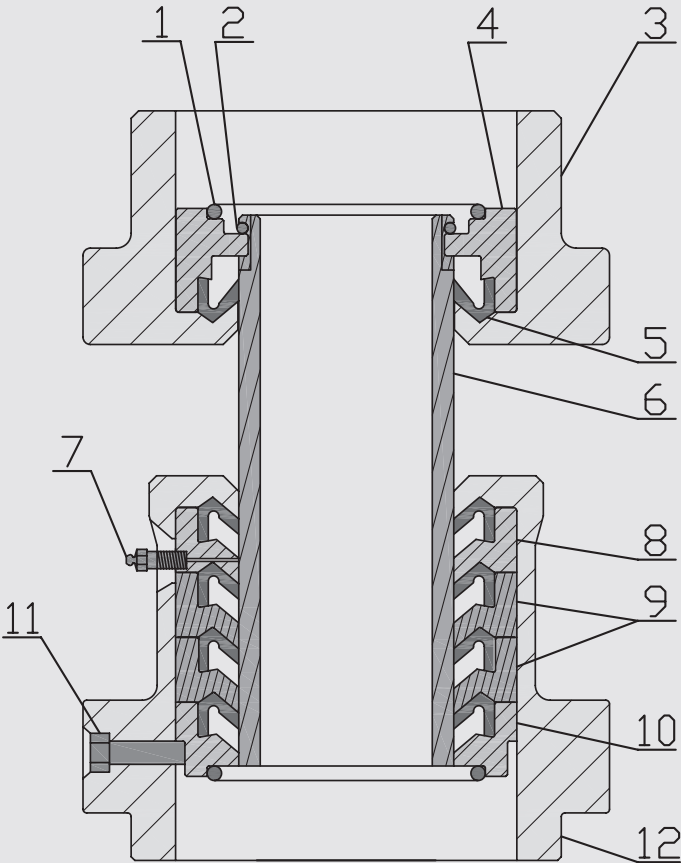
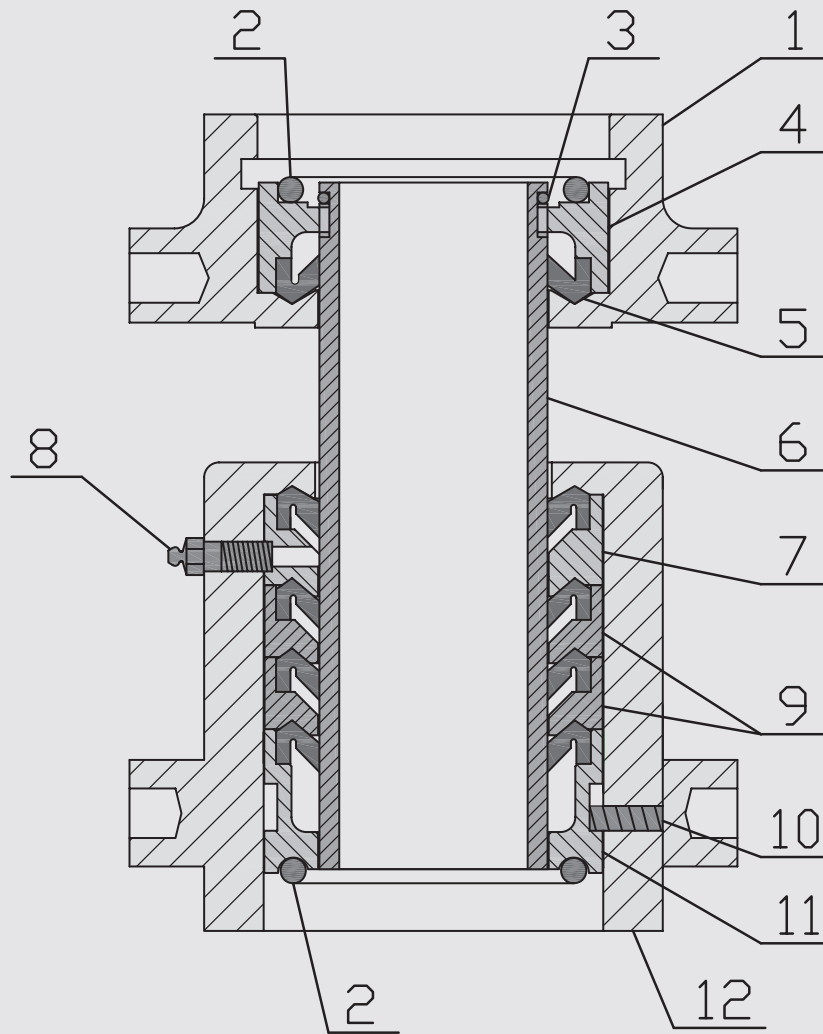


# NATIONAL P200/650



Item#	Qty	Description	P200/650
1	2	O-Ring	SW-7817600-438
2	1	Snap Ring	SW-623459
3	1	Washpipe Holding Nut	SW-649357
4	1	Washpipe Holding Ring	SW-649356
5	1	Washpipe Packing (Includes 5 Packing Rings and Item 1)	SW-75-106-24
6	1	Washpipe Assembly (Includes Item 2)	SW-70-106-24
7	1	Grease Fitting	SW-7805138
8	1	Washpipe Packing Spacer	SW-649358-A
9	2	Middle Washpipe packing Spacer	SW-649359
10	1	Lower Washpipe Packing Spacer	SW-649360
11	1	Set Screw	SW-649369
12	1	Washpipe Packing Nut (Includes Item 11)	SW-649361-A
		Cartridge Assembly (Includes Items 1 thru 12)	SW-703429-G1U

# NATIONAL N24/35 N47/1324



Item#	Qty	Description	N24/35	N47/1324
1	1	Washpipe Holding Cap	SW-627395	SW-624565
2	2	O-Ring	SW-627398	SW-621827
3	1	Snap Ring	SW-627399	SW-623459
4	1	Wash Pipe Holding Spacer	SW-627396	SW-623454-B
5	1	Washpipe Packing (Includes 5 Packing Rings & Item 2)	SW-75-106-17	SW-75-106-22
6	1	Washpipe Assembly (Includes Item 3)	SW-70-106-22	SW-70-106-12
7	1	Upper Spacer	SW-614198-A	SW-613151-A
8	1	Grease Fitting	SW-47640	SW-47640
9	2	Middle Spacer	SW-614197	SW-613150
10	1	Set Screw	SW-623457	SW-623457
11	1	Lower Packing Spacer	SW-627397	SW-623456
12	1	Washpipe Packing Box	SW-627394-A	SW-623455-A
		Quick Change Cartridge Assembly (Includes Items 1 thru 12)	SW-627394-AA2	SW-623455-AA2